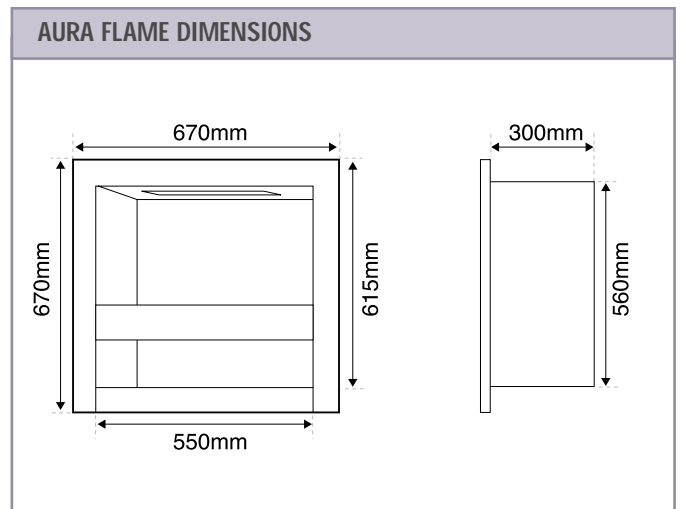
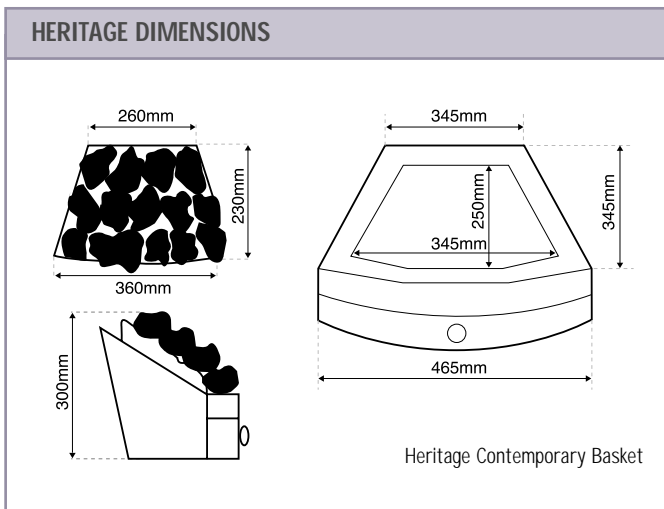
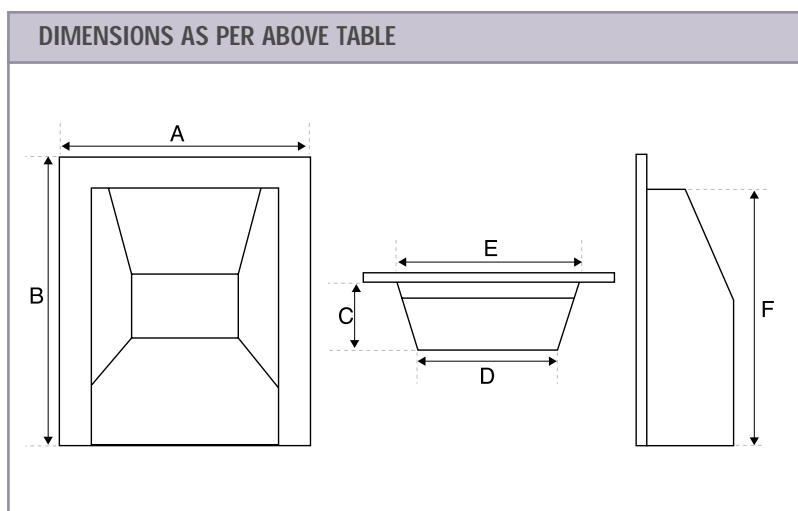
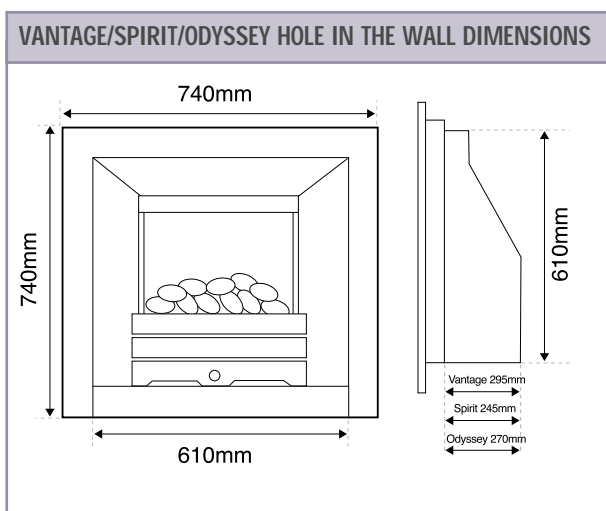


Technical Specification

Product	Controls			Fuel Bed				Trim Design/Finish				
	Manual	Slide	Remote	Coal	Log	Beach Coal	Glass Crystals	Brass	Black	Polished Steel	Brushed Steel	Vision I/II/III/IV Brushed Steel
16" Vantage	Yes	Yes	Yes	Yes	Yes	Yes	No	Yes	Yes	Yes	Yes	Yes
18" Vantage	Yes	No	No	Yes	Yes	Yes	No	Yes	Yes	Yes	Yes	Yes
Vantage Low Lintel	Yes	Yes	Yes	Yes	Yes	Yes	No	Yes	Yes	Yes	Yes	Yes
Vantage Turbo	Yes	No	No	Yes	Yes	Yes	No	Yes	Yes	Yes	Yes	Yes
Vantage Hole in the Wall	Yes	No	Yes	Yes	Yes	Yes	No	No	No	No	Yes	No
Spirit 16"	Yes	Yes	Yes	Yes	No	Yes	No	Yes	Yes	Yes	Yes	Yes
Spirit Turbo	Yes	No	No	Yes	No	Yes	No	Yes	Yes	Yes	Yes	Yes
Spirit Hole in the Wall	Yes	No	Yes	Yes	No	Yes	No	No	No	No	Yes	No
Spirit Superslim	Yes	No	No	Yes	No	Yes	No	Yes	Yes	Yes	Yes	Yes
Odyssey	Yes	No	No	No	No	No	Yes	Yes	Yes	Yes	Yes	Yes
Odyssey Hole in the Wall	Yes	No	No	No	No	No	Yes	No	No	No	Yes	No
Heritage	Yes	No	No	Yes	No	No	No	Yes	Yes	Yes	Yes	Yes
Heritage Basket	Yes	No	No	Yes	No	No	No	Yes	No	Yes	Yes	No
Aura-Flame Three Sided	Yes	No	Yes	Yes	Yes	Yes	No	No	No	No	Yes	No
Aura-Flame Hole in the Wall	Yes	No	Yes	Yes	Yes	Yes	No	No	No	No	Yes	No



			KW Input		KW Output		Fire Dimensions						Class of Flue
Vision I/II/III/IV Polished Steel	Vision I/II/III/IV Black	Vision I/II/III/IV Brass	High	Low	High	Low	A	B	C	D	E	F	I,II or Pre-Cast
Yes	Yes	Yes	6.9	4.1	3.9	2.4	520mm	615mm	195mm	265mm	400mm	560mm	I,II
Yes	Yes	Yes	9.6	4.5	4.6	2.9	575mm	615mm	195mm	315mm	450mm	560mm	I only
Yes	Yes	Yes	6.9	4.1	3.9	2.4	520mm	560 up to 615mm	195mm	265mm	400mm	508 up to 560mm	I,II
Yes	Yes	Yes	6.9	4.1	3.9	2.4	520mm	615mm	195mm	265mm	400mm	560mm	Outside wall
No	No	No	6.9	4.1	3.9	2.4	See Vantage Hole in the Wall Dimensions Below						I,II
Yes	Yes	Yes	6.2	3.9	3.5	2.1	520mm	615mm	140mm	236mm	400mm	560mm	I,II, Pre-cast
Yes	Yes	Yes	6.2	3.9	3.5	2.1	520mm	615mm	140mm	236mm	400mm	560mm	Outside wall
No	No	No	6.2	3.9	3.5	2.1	727mm	732mm	240mm	236mm	400mm	610mm	I,II
Yes	Yes	Yes	6.0	4.0	3.0	1.8	520mm	615mm	90mm	270mm	325mm	560mm	Pre-cast
Yes	Yes	Yes	5.8	3.9	2.1	1.2	520mm	615mm	170mm	245mm	400mm	560mm	I only
No	No	No	5.8	3.9	2.1	1.2	See Odyssey Hole in the Wall Dimensions Below						I only
Yes	Yes	Yes	6.9	4.1	2.7	1.5	See Heritage Dimensions Below						I only
No	No	No	6.9	4.1	2.7	1.5	See Heritage Dimensions Below						I only
No	No	No	6.9	4.1	3.0	1.9	See Aura-Flame Dimensions Below						I,II
No	No	No	6.9	4.1	3.0	1.9	See Aura-Flame Dimensions Below						I,II



NOTE

Vantage/Spirit/Odyssey Hole in the Wall
The above fire does not require the fitting of a hearth, however this can be added as a decorative feature.

REMOTE CONTROL

Remote control option is available on certain models. See Specification (Controls).



Technical Specification for Aura Blox and The Eye

Fire Type	Fireplace Setting		Full Remote Control	Fuel Bed				KW Input		KW Output		Type of Flue Class	Hearth Required
	The Eye	Aura Blox		Coal	Log	Beach	Glass	High	Low	High	Low		
Ultima	Yes	No	Yes	No	Yes	No	Yes	4.1	3.1	1.5	1.0	Class I,II	No
Aura-Flame	No	Yes	Yes	Yes	Yes	Yes	No	6.9	4.1	3.0	1.9	Class I,II	Yes

THE EYE

The Eye can be installed with either the log or crushed glass burner. The Eye fascias are available in a range of colour finishes, please contact your local Official Legend Dealer for details.

AURA BLOX

Aura Blox has a Hand Décor Copper Finish. Each back panel and hearth is hand finished using a unique process of acid etching, every panel therefore has it's own individual design effect. Finished in Cherry with brushed steel detail. Other finishes available are Maple and Coco. The Aura Blox comes complete with ambient remote controlled down lighters, together with the remote controlled Legend Aura Flame fire and a choice of Beach Coal, Log or Coal effect fuel bed.

THE ULTIMA FIRE UNIT

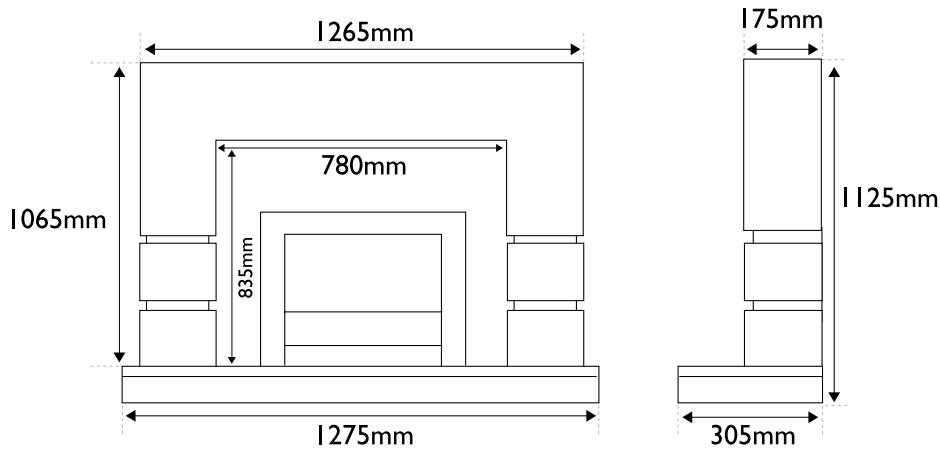
The award winning Ultima has been exclusively designed for installation in Class I and Class II Flue systems. (A flue box will be required with a Class II 5" application). The Ultima incorporates a remote control operating system that not only turns the appliance up and down but also on and off as well.

THE AURA FLAME

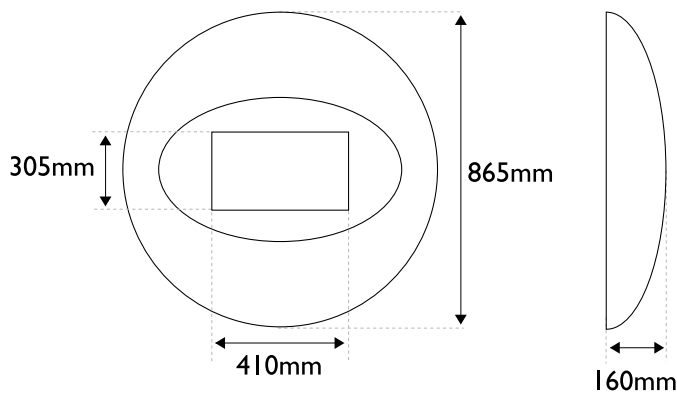
Available either as a three-sided unit, to be half mounted on the wall, or a four-sided hole-in-the-wall unit, the Aura Flame offers total flexibility. Designed for installation in either a Class I or Class II situation (a gather hood is required with a Class II flue) the unit is available with remote control or manual control options and fuel bed variants are coal, pebble or log.

Note: The Aura Flame unit must always be fitted with a hearth.

ULTIMA DIMENSIONS



EYE DIMENSIONS



Suitable Flue Types

The type of flue you have dictates the design of fire you can install.

Please see the flue types as listed below and then check the specification chart to see which fire would be suitable for your application.

CLASS 1 FLUE

Older houses usually have a Class 1 solid-fuel flue (identifiable by the 'chairbrick' at the back of the opening) which has a minimum 7" diameter and generally terminates with a brick or stone built chimney.

CLASS 2 FLUE

Newer homes may also have a Class 2 flue with a 5" minimum diameter that terminates with a cowl. The most common is a gas cowl. See illustrations on page 25.